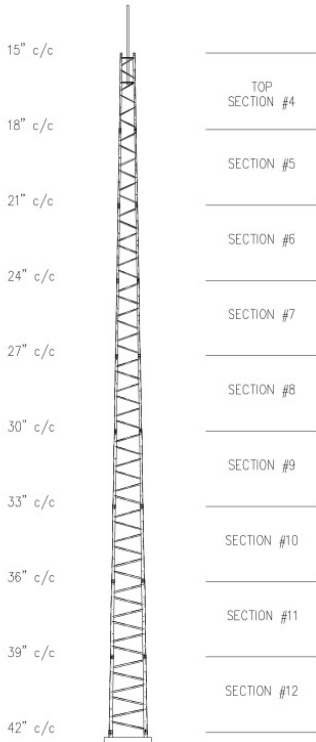
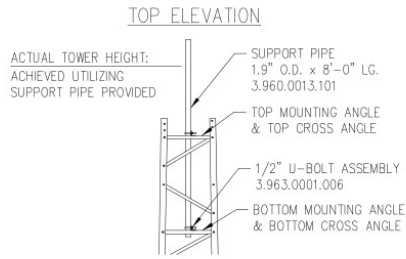
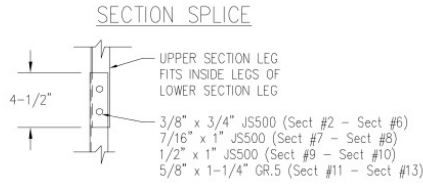


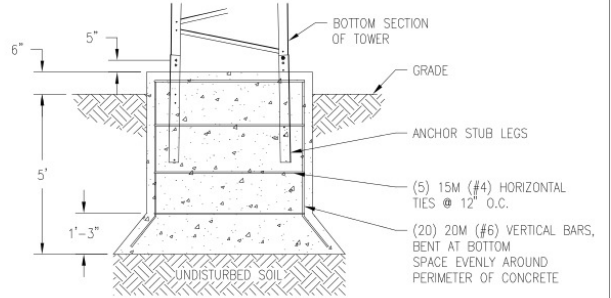
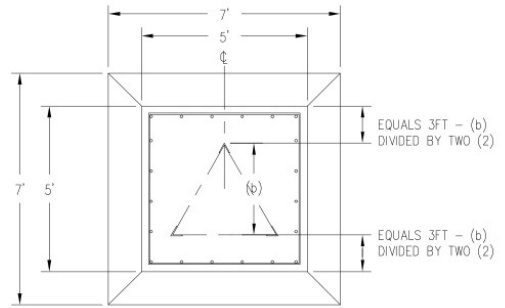
72' T400 TITAN TOWER
(P/N 4.95.0408.000)



MAXIMUM ALLOWABLE ANTENNA AREA		
SURVIVAL DESIGN NO ICE (ROUND/FLAT)		
70mph WIND	85mph WIND	100mph WIND
39/26 (sqft)	17/11 (sqft)	3/1.5 (sqft)



FOUNDATION DESIGN (NORMAL DRY SOIL)



FOUNDATION LOADS:
MAX. OVERTURNING MOMENT (K*FT) = 67.00
MAX. SHEAR (kips) = 1.7
DESIGN UPLIFT PER INDIVIDUAL LEG (kips) = 23.0

CONCRETE VOLUME:
6.0 CUBIC YARDS

CONFIDENTIAL: ALL INTELLECTUAL PROPERTY RIGHTS HEREIN ARE THE PROPERTY OF TRYLON MANUFACTURING COMPANY LTD. ALL DUPLICATION, RECORDING, DISCLOSURE OR USE IS PROHIBITED WITHOUT WRITTEN CONSENT OF TRYLON MANUFACTURING COMPANY LTD.

- NOTES:
- 1) PRE-ASSEMBLED PART NUMBER 4.95.0408.000.
 - 2) MAX. ANTENNA LOADS ARE CENTRALLY LOCATED AND BALANCED, 3FT OR LESS ABOVE THE TOWER TOP.
 - 3) "SURVIVAL" DESIGN IS NOT THE SAME AS EIA-222. FOR EIA COMPLIANCE SEE OUR SUPERTITAN MODELS.
 - 4) MINIMUM 32ksi YIELD FOR ALL COMPONENTS.
 - 5) CONSTRUCTED FROM PASSIVATED G-90 COAT GALVANIZED STEEL SHEET.
 - 6) TOWERS COME ASSEMBLED IN 8FT SECTIONS.
 - 7) TOP SUPPORT PIPE IS INCLUDED.
 - 8) FOR OPTIONAL ROCK BOLT FOUNDATION SEE DWG 000001.610.0033 AND 000001.610.0021.

REV.	REV. BY:	CHK. BY:	DESCRIPTION	DATE
A	MRH	CR	ISSUED FOR DISTRIBUTION	5 APR 07

TRYLON TSE

CUSTOMER: _____ SITE: _____ SCALE: 115.000

DATE: 08 MAR 07 BY: MRH CHK: CR APP: JB

TITLE: 72' T400 TITAN TOWER DRAWING NO. 000001.610.0099

\\ENG-SERVER\compendium\VALU-1\0-000001.610.0099.dwg 2017/07/14 14:49:49 PM AMBUCJSH